

SaniSure Mixed4Sure™ Mixing System



Aseptic closed mixing system for low shear to vigorous mixing.

Magnetically coupled suspended mixing device inside a closed 5, 10, 20 or 50 liter container.

- Mixed4Sure eliminates the risk of unpredictable results associated with the use of a normal stir bar
- Available in polypropylene or polycarbonate depending on size of container
- Customizable to meet your needs
- Available as a sterile product
- The Stir Bar is elevated off the bottom of the carboy. This reduces particulate generation in comparison to traditional stir bars

FEATURES

Large mixer to volume ratio

Closed system

5L, 10L, 20L, 50L capacity

Option to ship sterile

Inserts into all 83B openings

No surface contact

Patent pending

Single-use

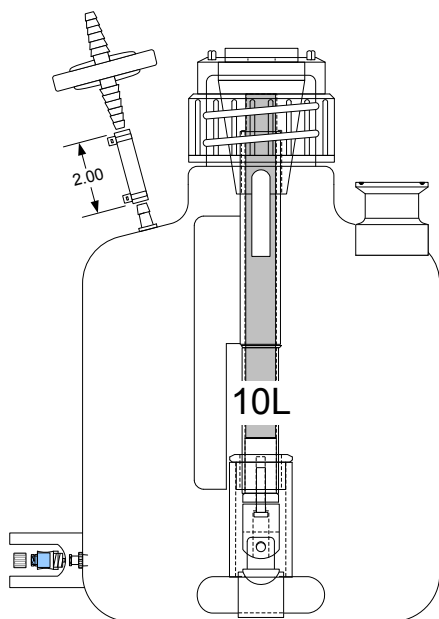
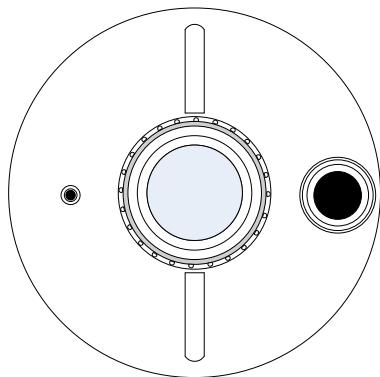
Low shear to vigorous mixing

Can be customized

Mixed4Sure uses a magnetically coupled suspended mixing device inside a closed container to provide an aseptic closed mixing system for low shear to vigorous mixing.



TOP VIEW



ALL DIMENSIONS IN INCHES UNLESS OTHERWISE STATED
Drawing is for illustration purposes only.

5L Mixed4Sure Design Information

- Only available in polypropylene. Must use same material for fittings
- Only polypropylene fittings
- Shoulder is limited to 3/4" TC ports
- Side port is limited to 3"
- Most barb and sample port sizes will work (stops at 1")
- .75" diptube maximum

10L Mixed4Sure Design Information

- Polypropylene and polycarbonate must match carboy material and fitting material
- Shoulder is limited to 2" TC ports
- Side port is limited to 6" TC
- 1.5" diptube maximum
- All size barbs and connectors

50L Mixed4Sure Design Information

- Only available in polypropylene. Must use same material for fittings
- Shoulder is limited to 3" TC ports
- Side port is limited to 6" TC
- 2" diptube maximum
- All size barbs and connectors

Hose Barbs: Polypropylene, Polycarbonate and Polysulfone

	1/32"	1/16"	1/8"	1/4"	3/8"	1/2"	3/4"					
PP		X	X	X	X	X	X					
PC			X	X	X	X	X					
PS	X	X	X	X	X							

Tri Clamps Polypropylene, Polycarbonate

	3MM	6MM	10MM	12MM	3/4"	1"	1 1/2"	2"	3"	4"	6"
PP	X	X	X	X	X	X	X	X	X	X	X
PC					X		X	X			

Charging Elbow/Diptube

	3MM	6MM	10MM	12MM	1/8"	1/4"	3/8"	1/2"	3/4"	1"	1 1/2"	2"
PP	X	X	X	X						X	X	X
PC					X	X	X	X				



sanisure.com • (877) 777-3005

IMPORTANT: It is the user's responsibility to ensure the suitability and safety of SaniSure, Inc. products for all intended uses.

For a period of 90 days from the date of delivery, SaniSure, Inc. warrants this product to be free from defects in materials and workmanship. Our only obligation will be to replace any portion proving defective, or at our option, refund the purchase price thereof. User assumes all other risk, if any, including the risk of injury, loss or damage, direct or consequential, arising out of the use, misuse or inability to use this product. THIS LIMITED WARRANTY IS IN LIEU OF THE WARRANTIES OF MERCHANTABILITY, FITNESS FOR PARTICULAR PURPOSE AND ALL OTHER WARRANTIES, EXPRESSED OR IMPLIED. No deviation is authorized.

SaniSure, Inc. assumes no obligations or liability for any advice furnished by it or for results obtained with respect to those products. All such advice is given and accepted at the user's risk. SaniSure® is a registered trademark of SaniSure, Inc. All rights reserved.