



Cap2V8[®] Sterile Media Bottle Assembly



**Engineered, single-use solutions
reducing operational cost and
improving production efficiency.**

- Molded and unitized construction (no adhesives)
- Certified sterile with fast delivery
- Cost-effective aseptic transfer and sampling device
- One continuous flow path
- Lot-traceable
- Meets USP Class VI

Features	Benefits
One-Piece Molded Cap Design	Reduces contamination and product loss
Materials of Construction	CellGyn [®] tubing (heat-weldable/sealable); Polypropylene cap; PETG Bottle from 60ml to 1L; PC Nalgene [®] Bottle for 2L. Contact us for more tubing and bottle options.
Single Use	Cost-effective; reduced assembly and installation time; eliminates cleaning validation
Custom Design Capabilities	SaniSure [®] offers a full array of custom options, including tubing, fittings/end connections, sterile connectors, and bottle variations

Packaging

- Bagged and labeled in an ISO Class 7 cleanroom

Sterilization

- Gamma-irradiated to sterility assurance level 10⁻⁶

Applications

- Tissue and cell culture media
- Media cell fermentation
- Pilot and process research; product development
- Laboratory research
- Aseptic sampling
- Vaccine production
- Sterile filling and transfer

You can further customize these and other Cap2V8[®] designs, with sample ports, rigid dip tubes, and sterile connects and disconnects, along with other unique capabilities.

sanisure.com

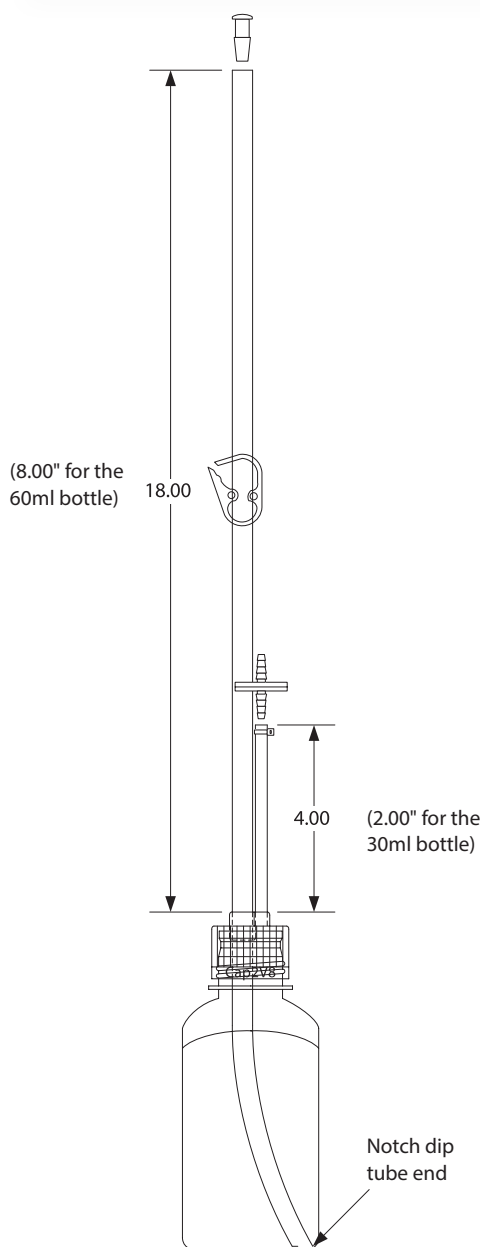


Cap2V8® Sterile Media Bottle Assembly

The standard **60ml** Cap2V8® container uses our 24-415 CellGyn® Cap2V8® with a PETG Nalgene® Media Bottle and comes with an 8-inch feed line with pinch clamp, dip tube, and 2-inch vent line with hydrophobic vent filter.

The standard **125ml, 250ml, 500ml, and 1L** Cap2V8® container uses our 38-430 CellGyn® Cap2V8® with a PETG Nalgene® Media Bottle and comes with an 18-inch feed line with pinch clamp, dip tube, and 4-inch vent line with hydrophobic vent filter.

The standard **2L** Cap2V8® container uses our 38-430 CellGyn® Cap2V8® with a PC Nalgene® Round Media Bottle and comes with an 18-inch feed line with pinch clamp, dip tube, and 4-inch vent line with hydrophobic vent filter.



Catalog Number	Nalgene® Bottle		Tubing	Cap2V8®	Feed (with clamp & dip tube)		Vent (no clamp & no dip tube)			
	Volume	Material	Material		Length	ID/OD	Length	ID/OD		
CAP2V8-060PETG-Y-2	60ml (square)	PETG	CellGyn®	24-415	8" (20cm)	1/8" x 1/4"	2" (5cm)			
CAP2V8-125PETG-Y-2	125ml (square)						1/8" x 1/4"			
CAP2V8-125PETG-Y-2L							1/4" x 7/16"			
CAP2V8-250PETG-Y-2	250ml (square)						1/8" x 1/4"			
CAP2V8-250PETG-Y-2L							1/4" x 7/16"			
CAP2V8-500PETG-Y-2	500ml (square)					38-430	18" (45cm)	1/8" x 1/4"	4" (10cm)	1/8" x 1/4"
CAP2V8-500PETG-Y-2L										
CAP2V8-1000PETG-Y-2	1L (square)							1/8" x 1/4"		
CAP2V8-1000PETG-Y-2L								1/4" x 7/16"		
CAP2V8-2000PC-Y-2	2L (round)			PC				1/8" x 1/4"		
CAP2V8-2000PC-Y-2L							1/4" x 7/16"			



60ml Nalgene® Bottle



250ml Nalgene® Bottle



2L Nalgene® Bottle

<p>Americas</p> <p>1020 Flynn Road Camarillo, CA 93012 United States +1-805-920-7264</p> <p>sanisure.com</p>	<p>Europe & Asia</p> <p>ZAE Robert Steichen 16, rue Héierchen L4940 Bascharage Grand Duché du Luxembourg +352-26-33731</p>	<p>SANISURE® Solution Based Innovation</p>
--	---	---

Specifications subject to change without notice. Copyright SanisSure GmbH. USA, Version 01